

Pressure Ranges From 0-15 PSI to 0-400 PSI



Advantages / Benefits

- ▶ Easy LINK for direct connection to Burkert control valves.
- ▶ Wetted parts and housing complete out of stainless steel
- ▶ Welded sensor cell without additional sealing material
- ▶ Outstanding EMI-features (20 V/m IEC 801-3)
- ▶ Medium temperatures -40°F to 212°F
- ▶ Easy to connect by just 2-wire 4 – 20 mA output
- ▶ Accuracy <1%
- ▶ Repeatability <0.1%
- ▶ Long term stability <0.3%
- ▶ CE Approval

Design

High quality piezo measurement cells and thin film technology are the basics for the 8320 product line's excellent detection of pressure in demanding applications.

The design of the internal electronics and careful selection of the electronic components ensure reliable, long term signal processing and excellent EMI properties.

Stainless steel is used as the base metal for cases and wetted parts. Welded measuring cells completely eliminate the need for internal seals.

Innovative manufacturing processes and high-quality components guarantee consistency and long term stability.

The connection between high product quality and superior price/performance is the basis of the 8320 product philosophy and creates new standards.

Application

- Pressure measurement and control with Easy LINK
- Control for steam applications
- Purification systems
- Filtration systems for food and pharmaceuticals
- Food industry
- Tooling
- Automation control

**Burkert Contromatic USA**  
2602 McGaw Avenue  
Irvine, CA 92614  
Tel. 949.223.3100  
Fax 949.223.3198  
www.burkert-usa.com

**Burkert Contromatic Inc.**  
760 Pacific Road, Unit 3  
Oakville, Ontario, Canada  
L6L 6M5  
Tel. 905.847.5566  
Fax 905.847.9006

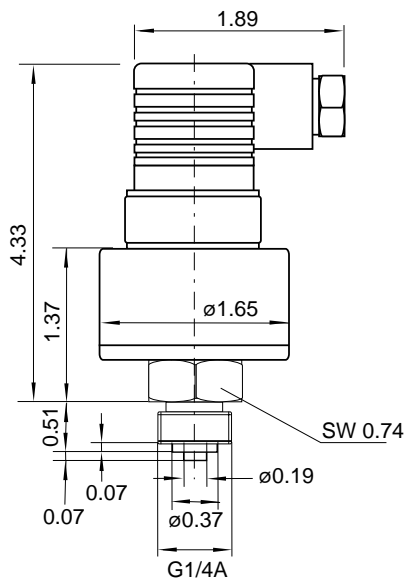


Specifications

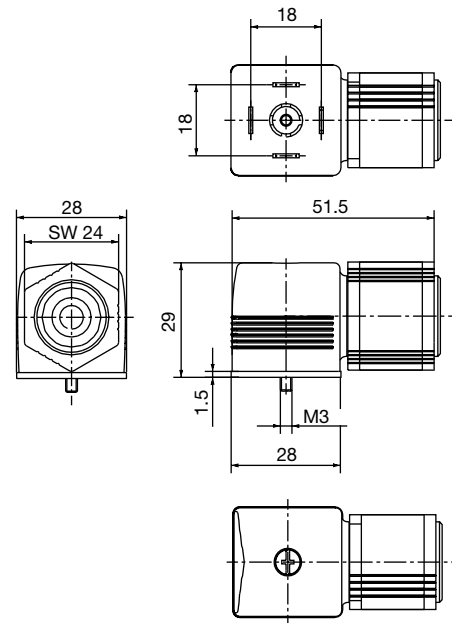
Sensing principle		Piezo-resistive	Thin film strain gauge
Pressure ranges	PSI	15 25 40 60 100 150	250 400
Overpressure safety	PSI	80 150 150 250 500 500	725 725
Burst pressure of sensor element	PSI	80 150 150 250 500 500	1200 2000
Pressure reference		(relative pressure)	
Port connection		1/4 NPT (G 1/4 B)	
Material		316Ti and 630 Stainless steel	
Wetted parts		304 Stainless steel	
Case			
Power supply $U_B$	DC V	10 < $U_B$ ≤ 30	
Signal output and maximum load $R_A$		4 – 20 mA, 2-wire system $R_A$ [Ohm] = ( $U_B$ [V] - 10 [V]) / 0.02 [A]	
Response time (10-90%)	ms	≤ 5	
Accuracy (including hysteresis)	% of F.S.D.	< 1.0 (limit point calibration); ≤ 0.5 (BFSL)	
Repeatability	% of F.S.D.	< 0.1	
1-year stability	% of F.S.D.	< 0.3 (at reference conditions)	
Permissible temperatures			
Medium	°F (°C)	-40 to 212 (-40 to 100)	
Ambient	°F (°C)	-22 to 176 (-30 to 80)	
Storage	°F (°C)	-22 to 212 (-30 to 100)	
Compensated temp. range	°F (°C)	32 to 176 ( 0 to 80)	
Temperature coefficient in compensated temperature range:			
mean $T_c$ of zero	% of F.S.D.	≤ 0.4/10 K	
mean $T_c$ of span	% of F.S.D.	≤ 0.3/10 K	
CE-Conformity		Electromagnetic compatibility by EN 50081-1 (Mar. 93) and EN 50081-2 (Mar. 94) Electromagnetic compatibility by EN 50082-2 (Mar. 95); declaration of conformity on request	
Electrical connection		EaseOn plug or DIN 43 650 4-pin L-plug	
Rating by EN 60529/IEC 529		NEMA 4	
Wiring protection		Protected against reverse polarity, overvoltage, and short circuiting	
Weight	lbs.	Approx. 0.33	
Dimensions		See drawings	

Dimensions [inch]

Version 4-pin-L-Plug DIN 43 650

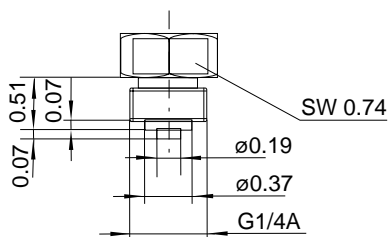


Version EaseOn Plug (on request)

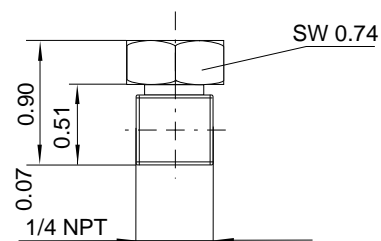


Port Connections

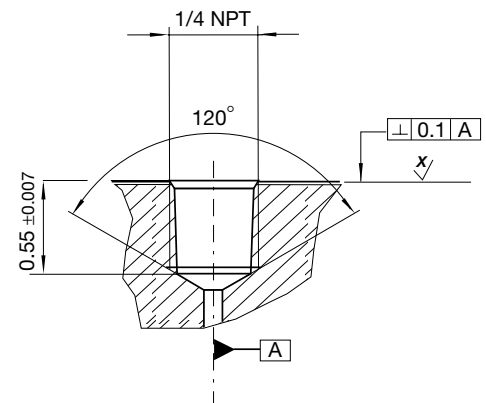
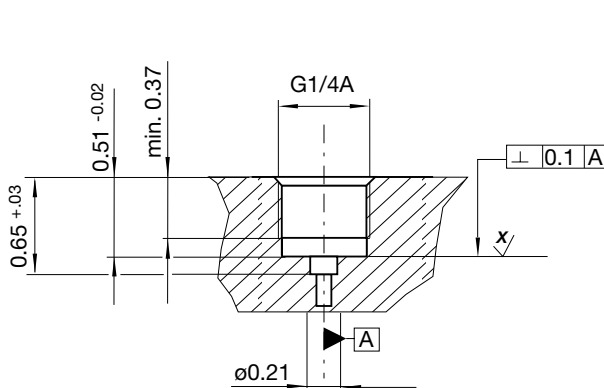
G 1/4 B



NPT 1/4



Socket for Port Connections



Ordering Chart (Other Versions On Request)

Type 8320 with G 1/4

Measuring Ranges [bar]	Item No.	
	Electrical Connection	
	EaseOn-plug*	DIN 43650
0 - 1.00	429 968 A	429 952 S
0 - 1.60	429 969 B	429 953 T
0 - 2.50	429 970 G	429 954 U
0 - 4.00	429 971 V	429 955 V
0 - 6.00	429 972 W	429 956 W
0 - 10.00	429 973 X	429 957 X
0 - 16.00	429 974 Y	429 958 G
0 - 25.00	429 975 Z	429 959 H

\* on request

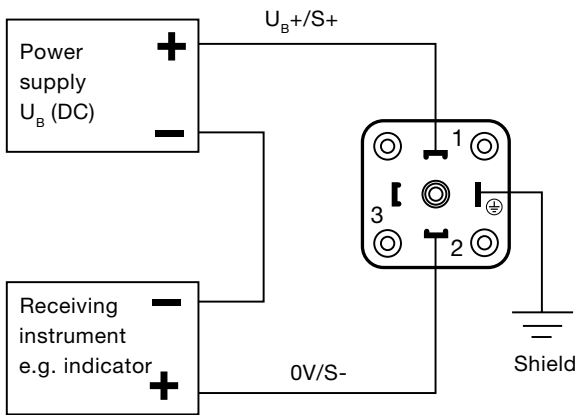
Type 8320 with 1/4 NPT

Measuring Ranges [PSI]	Item No.	
	Electrical Connection	
	EaseOn-plug*	DIN 43650
0 - 15.0	430 457 X	430 448 E
0 - 25.0	430 458 G	430 449 F
0 - 50.0	430 459 H	430 450 C
0 - 60.0	430 460 E	430 451 Z
0 - 100.0	430 461 T	430 452 S
0 - 160.0	430 462 U	430 453 T
0 - 200.0	430 463 V	430 454 U
0 - 300.0	430 464 W	430 455 V

\* on request

Electrical Connection

2-wire system (EaseOn-plug, DIN 43 650 plug)



*Easy* Continuous Solenoid Control

