


2/2- and 3/2-Way; Orifice 0.024" in.



Advantages/Benefits

- ▶ Zero dead volume design on request
- ▶ Compact size
- ▶ Hermetic isolation of fluid from the actuator
- ▶ High back-pressure rating
- ▶ Body materials: PEEK, PVDF, ETFE
- ▶ Flow diagnostics available upon request
- ▶  Recognized

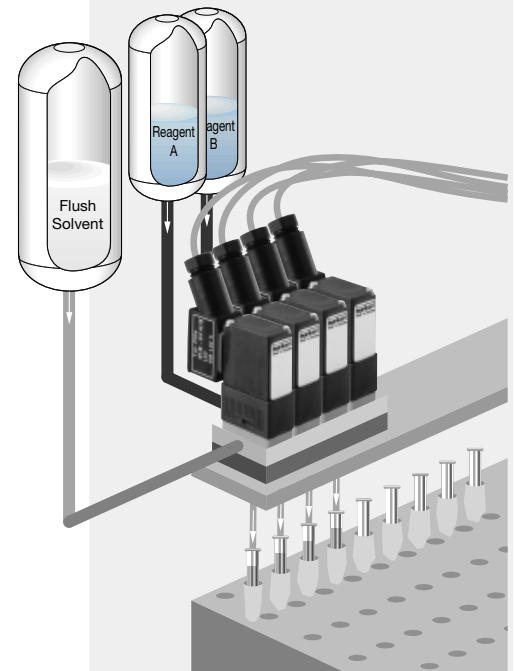
The Type 6606 analytical solenoid valves combine all state-of-the-art features in a compact design. With high reliability, virtually no heat transfer between fluid and coil, minimized dead volume and Burkert's expertise in supplying customized solutions, these valves are a perfect fit even for the most demanding applications.

Applications

- Medical technology
- Biotechnology
- Analytical instruments
- Disinfectants and solvents
- Strong acids and bases, oxidizing solutions

Process Specification

Nominal voltage	12, 24 V/DC 110 - 120 V/UC 230 - 240 V/UC
Voltage tolerance	± 10%
Power consumption	3.4 W at 12, 24 V/DC 4 W at 110 - 120, 230 - 240 V/DC
Duty cycle	100% continuously rated
Cycling rate	Approx. 300 c.p.m.
Protection class	<ul style="list-style-type: none"> • NEMA 4 (IP 65) with leads or cable plug 2506 • IP 67 with round plug • IP 40 with rectangular plug (see dimensions)
Electrical connection	Vacuum to 28 PSI (see specifications)
Pressure range max.	
Materials	
Body	PEEK for sub-base body PVDF for G 1/8, NPT 1/8 and tube connection body ETFE for UNF body
Seal	FFKM (SIMRIZ Perfluorelastomer)
Fluids	Aromatics, ethers, esters, ketones, solvents (PEEK body only)
Temperatures	
Fluid	32°F up to 122°F
Ambient	Max. 131°F
Max. viscosity	Approx. 21 cSt
Response time	Approx. 20 ms
Internal volume	
G1/8, NPT1/8	85 µl
Sub-base	68 µl
UNF 1/4-28	30 µl (2/2), 55 µl (3/2)
On request	< 5 µl



Burkert Contromatic USA
2602 McGaw Avenue
Irvine, CA 92614
Tel. 949.223.3100
Fax 949.223.3198
www.burkert-usa.com

Burkert Contromatic Inc.
760 Pacific Road, Unit 3
Oakville, Ontario, Canada L6L 6M5
Tel. 905.847.5566
Fax 905.847.9006
www.burkert.ca

burkert
Fluid Control Systems

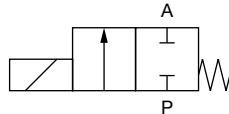
16mm Miniature Rocker Solenoid Valve with Isolating Diaphragm for Analytical Applications

Type 6606

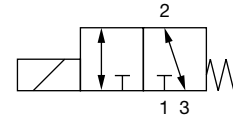
Technical Data

Circuit Function

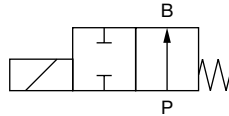
A 2/2-way valve, direct acting normally closed



T 3/2-way valve, direct acting, universal function, any flow direction (mixing or distributing versions)



B 2/2-way valve, direct acting normally open



Port connection	Orifice [inch]	C _v -Value (water) [gpm]		Q _{Nn} -Value (air) [l/min]		Pressure range [PSI]	Back pressure [PSI]	Response time [ms]	Weight [lb.]
		2/2-way	3/2-way	2/2-way	3/2-way				
G1/8, NPT1/8	0.063	0.071	0.055	65	42	Vac. - 28	28	25	0.143
Flange	0.063	0.046	0.038	65	42	Vac. - 28	28	25	0.123
UNF1/4-28	0.059	0.046	0.029	65	42	Vac. - 28	14.5	25	0.139
Tube	0.063	0.046	0.029	65	42	Vac. - 28	14.5	25	0.132

Flow rate: C_v-value water [gpm]

Measured at 68°F, 15 PSI pressure to atmosphere

Pressure ranges [PSI]

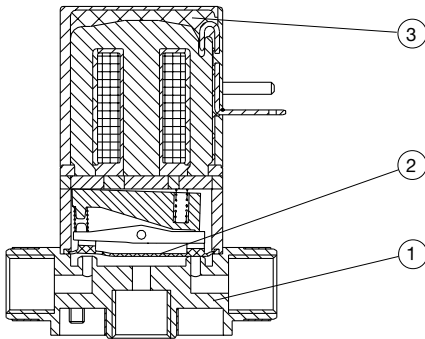
Measured as overpressure to the atmospheric pressure

Response times [ms]

Measured at valve outlet at 28 PSI and 68°F

Opening Pressure rise from 0 to 90%
Closing Pressure drop from 100 to 10%

Materials



- | | |
|---------------|--------------------|
| 1 Valve body: | PEEK, PVDF or ETFE |
| 2 Diaphragm: | FFKM (SIMRIZ) |
| 3 Coil body: | PA (Polyamide) |

Ordering-Information Accessories

Accessory	Description	Item-No.
Rectangular plug 0.2 in.	118 in. cable jacketed [3m]	133 486 F
	12 in. leads [300mm]	644 068 N
	78 in. leads [500mm]	148 578 R
	single contacts for manifold mounting	644 067 D
3-Station manifold, PEEK	2-Way Function, Single Common Port, Drawing Available Upon Request	US61376
6-Station manifold, PEEK	2-Way Function, Single Common Port, Drawing Available Upon Request	US61377
3-Station manifold, PEEK	2-Way Function, Single Common Port, Drawing Available Upon Request	US61381
6-Station manifold, PEEK	2-Way Function, Single Common Port, Drawing Available Upon Request	US61382
Blanking plate PEEK	To cover unused stations	US61385

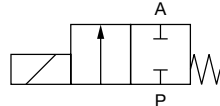
Additional Accessories on request:

- Multivalve manifolds
- Flow diagnostics
- Fittings and tubes

Specifications - Ordering Chart (Other Versions on Request)

Circuit Function A

2/2-way valve, direct acting normally closed



PVDF Valve Body

Port connection	Orifice [inch]	C _v -Value (water) [m ³ /h]	Q _{Nn} -Value (air) [l/min]	Pressure range [PSI]	Back pressure [PSI]	Seal material	Electrical connection	Weight [lb.]	Voltage / Frequency [V/Hz]	Item-No. / Frequency [V/Hz]
									12/DC ¹⁾ / 24/DC ¹⁾	230/DC/AC ²⁾
G 1/8	0.063	0.071	65	Vac. - 28	28	FFKM	leads, 500mm	0.137	-	137 749 H
G 1/8	0.063	0.071	65	Vac. - 28	28	FFKM	rect. plug	0.137	-	139 146 X
G 1/8	0.063	0.071	65	Vac. - 28	28	FFKM	cab. plug 2506	0.137	-	137 746 W
NPT 1/8	0.063	0.071	65	Vac. - 28	28	FFKM	leads, 500mm	0.143	137 753 V	137 754 W
NPT 1/8	0.063	0.071	65	Vac. - 28	28	FFKM	rect. plug	0.143	-	458 094 X
NPT 1/8	0.063	0.071	65	Vac. - 28	28	FFKM	cab. plug 2506	0.143	-	137 750 E
Tube	0.063	0.046	42	Vac. - 28	14.5	FFKM	leads, 500mm	0.126	137 763 X	137 764 Y
Tube	0.063	0.046	42	Vac. - 28	14.5	FFKM	rect. plug	0.126	-	139 147 Y
Tube	0.063	0.046	42	Vac. - 28	14.5	FFKM	cab. plug 2506	0.126	137 762 W	137 760 G

ETFE Valve Body

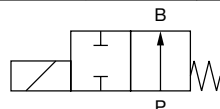
Port connection	Orifice [inch]	C _v -Value (water) [m ³ /h]	Q _{Nn} -Value (air) [l/min]	Pressure range [PSI]	Back pressure [PSI]	Seal material	Electrical connection	Weight [lb.]	Voltage / Frequency [V/Hz]	Item-No. / Frequency [V/Hz]
									12/DC ¹⁾ / 24/DC ¹⁾	230/DC/AC ²⁾
UNF 1/4-28	0.059	0.046	42	Vac. - 28	28	FFKM	leads, 500mm	0.139	137 758 A	137 759 B
UNF 1/4-28	0.059	0.046	42	Vac. - 28	28	FFKM	cab. plug 2506	0.139	-	142 863 Z
UNF 1/4-28	0.059	0.046	42	Vac. - 28	28	FFKM	rect. plug	0.139	-	137 755 X

PEEK Valve Body

Port connection	Orifice [inch]	C _v -Value (water) [m ³ /h]	Q _{Nn} -Value (air) [l/min]	Pressure range [PSI]	Back pressure [PSI]	Seal material	Electrical connection	Weight [lb.]	Voltage / Frequency [V/Hz]	Item-No. / Frequency [V/Hz]
									12/DC ¹⁾ / 24/DC ¹⁾	230/DC/AC ²⁾
Sub-base	0.063	0.046	42	Vac. - 28	28	FFKM	leads, 500mm	0.117	137 744 U	137 745 V
Sub-base	0.063	0.046	42	Vac. - 28	28	FFKM	rect. plug	0.117	-	139 145 W
Sub-base	0.063	0.046	42	Vac. - 28	28	FFKM	cab. plug 2506	0.117	137 743 T	137 741 Z

Circuit Function B

2/2-way valve, direct acting normally open



PVDF Valve Body

Port connection	Orifice [inch]	C _v -Value (water) [m ³ /h]	Q _{Nn} -Value (air) [l/min]	Pressure range [PSI]	Back pressure [PSI]	Seal material	Electrical connection	Weight [lb.]	Voltage / Frequency [V/Hz]	Item-No. / Frequency [V/Hz]
									12/DC ¹⁾ / 24/DC ¹⁾	230/DC/AC ²⁾
G 1/8	0.063	0.071	65	Vac. - 28	28	FFKM	cab. plug 2506	0.137	-	137 747 X
NPT 1/8	0.063	0.071	65	Vac. - 28	28	FFKM	cab. plug 2506	0.143	-	137 751 T
Tube	0.063	0.046	42	Vac. - 28	15	FFKM	cab. plug 2506	0.126	-	137 761 V
Tube	0.063	0.046	42	Vac. - 28	15	FFKM	leads, 500mm	0.126	-	149 080 F

ETFE Valve Body

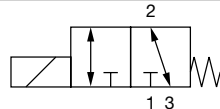
Port connection	Orifice [inch]	C _v -Value (water) [m ³ /h]	Q _{Nn} -Value (air) [l/min]	Pressure range [PSI]	Back pressure [PSI]	Seal material	Electrical connection	Weight [lb.]	Voltage / Frequency [V/Hz]	Item-No. / Frequency [V/Hz]
									12/DC ¹⁾ / 24/DC ¹⁾	230/DC/AC ²⁾
UNF 1/4-28	0.059	0.046	42	Vac. - 28	28	FFKM	cab. plug 2506	0.139	-	137 756 Y

PEEK Valve Body

Port connection	Orifice [inch]	C _v -Value (water) [m ³ /h]	Q _{Nn} -Value (air) [l/min]	Pressure range [PSI]	Back pressure [PSI]	Seal material	Electrical connection	Weight [lb.]	Voltage / Frequency [V/Hz]	Item-No. / Frequency [V/Hz]
									12/DC ¹⁾ / 24/DC ¹⁾	230/DC/AC ²⁾
Sub-base	0.063	0.046	42	Vac. - 28	28	FFKM	cab. plug 2506	0.117	-	137 742 S

Circuit Function T

3/2-way valve, direct acting, universal function, any flow direction



PVDF Valve Body

Port connection	Orifice [inch]	C _v -Value (water) [m ³ /h]	Q _{Nn} -Value (air) [l/min]	Pressure range [PSI]	Back pressure [PSI]	Seal material	Electrical connection	Weight [lb.]	Voltage / Frequency [V/Hz]	Item-No. / Frequency [V/Hz]
									12/DC ¹⁾ / 24/DC ¹⁾	230/DC/AC ²⁾
G 1/8	0.063	0.055	51	Vac. - 28	28	FFKM	leads, 500mm	0.137	-	137 771 X
G 1/8	0.063	0.055	51	Vac. - 28	28	FFKM	rect. plug	0.137	-	139 149 A
G 1/8	0.063	0.055	51	Vac. - 28	28	FFKM	cab. plug 2506	0.137	-	137 769 D
NPT 1/8	0.063	0.055	51	Vac. - 28	28	FFKM	leads, 500mm	0.143	137 774 S	137 775 T
NPT 1/8	0.063	0.055	51	Vac. - 28	28	FFKM	cab. plug 2506	0.143	-	137 772 Y
Tube	0.063	0.029	27	Vac. - 28	14.5	FFKM	leads, 500mm	0.126	137 782 K	137 783 L
Tube	0.063	0.029	27	Vac. - 28	14.5	FFKM	rect. plug	0.126	-	139 150 F
Tube	0.063	0.029	27	Vac. - 28	14.5	FFKM	cab. plug 2506	0.126	137 781 J	137 780 V

ETFE Valve Body

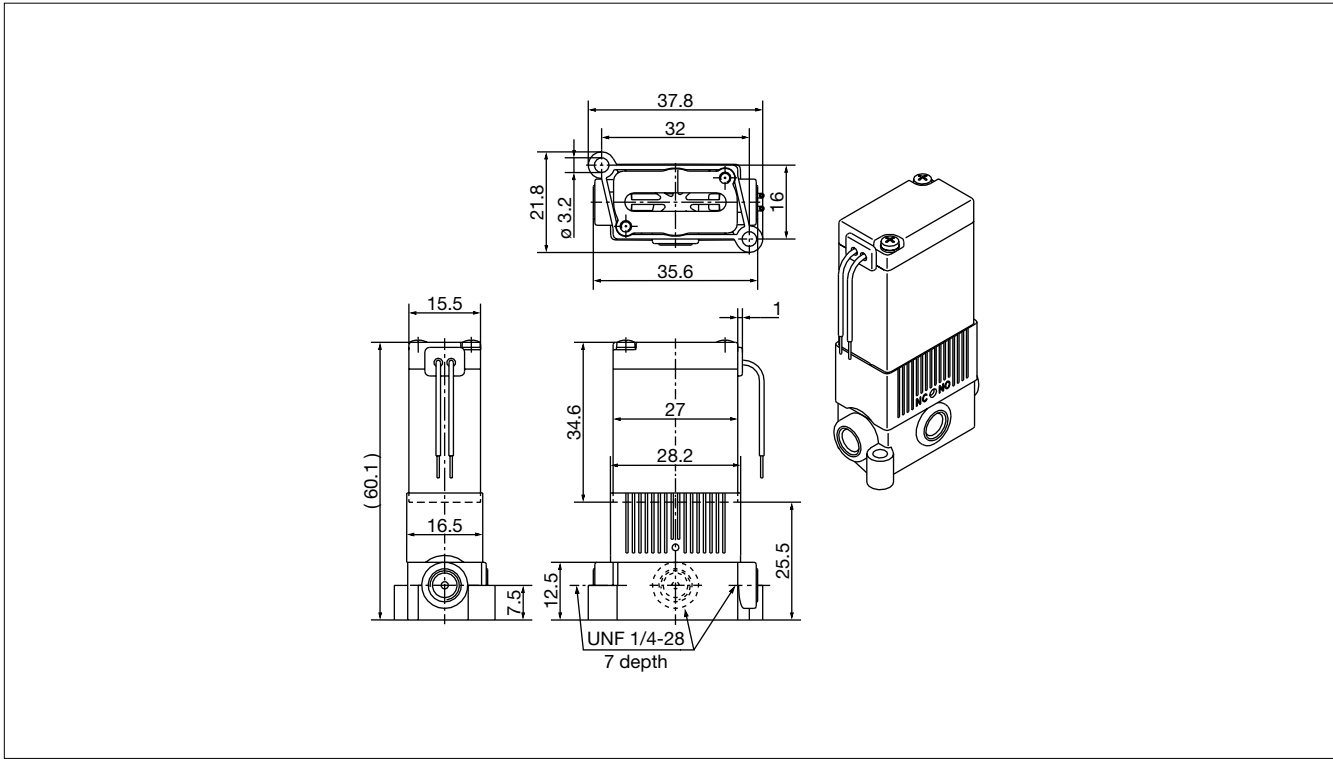
Port connection	Orifice [inch]	C _v -Value (water) [m ³ /h]	Q _{Nn} -Value (air) [l/min]	Pressure range [PSI]	Back pressure [PSI]	Seal material	Electrical connection	Weight [lb.]	Voltage / Frequency [V/Hz]	Item-No. / Frequency [V/Hz]
									12/DC ¹⁾ / 24/DC ¹⁾	230/DC/AC ²⁾
UNF 1/4-28	0.059	0.059	27	Vac. - 28	28	FFKM	leads, 500mm	0.139	137 778 E	137 779 F
UNF 1/4-28	0.059	0.046	42	Vac. - 28	28	FFKM	cab. plug 2506	0.139	-	137 776 U
UNF 1/4-28	0.059	0.046	42	Vac. - 28	28	FFKM	rect. plug	0.139	-	142 864 S

PEEK Valve Body

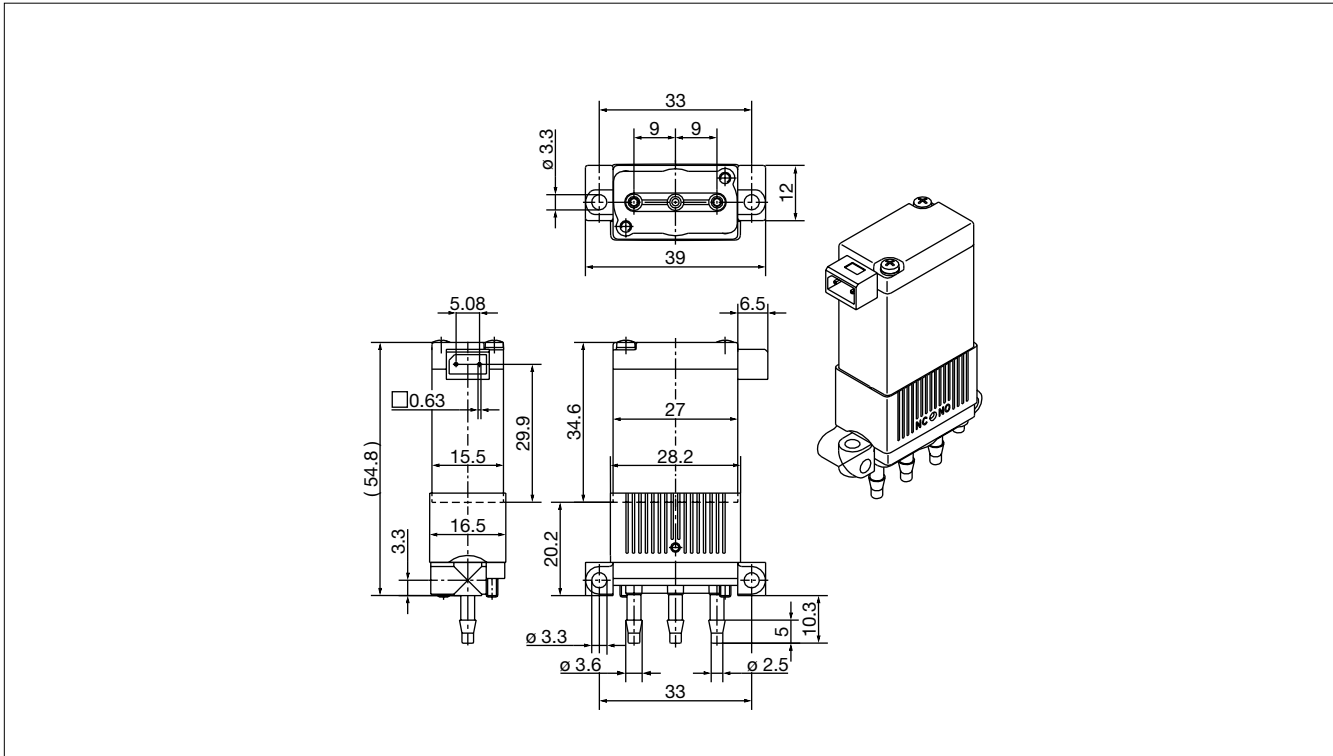
Port connection	Orifice [inch]	C _v -Value (water) [m ³ /h]	Q _{Nn} -Value (air) [l/min]	Pressure range [PSI]	Back pressure [PSI]	Seal material	Electrical connection	Weight [lb.]	Voltage / Frequency [V/Hz]	Item-No. / Frequency [V/Hz]
									12/DC ¹⁾ / 24/DC ¹⁾	230/DC/AC ²⁾
Sub-base	0.063	0.038	34	Vac. - 28	28	FFKM	leads, 500mm	0.117	137 767 T	137 768 C
Sub-base	0.063	0.038	34	Vac. - 28	28	FFKM	rect. plug	0.117	-	139 148 H
Sub-base	0.063	0.038	34	Vac. - 28	28	FFKM	cab. plug 2506	0.117	137 766 S	137 765 Z

¹⁾ Side tag connector, ²⁾ Top tag connector, universal coil (AC/DC) with integrated rectifier

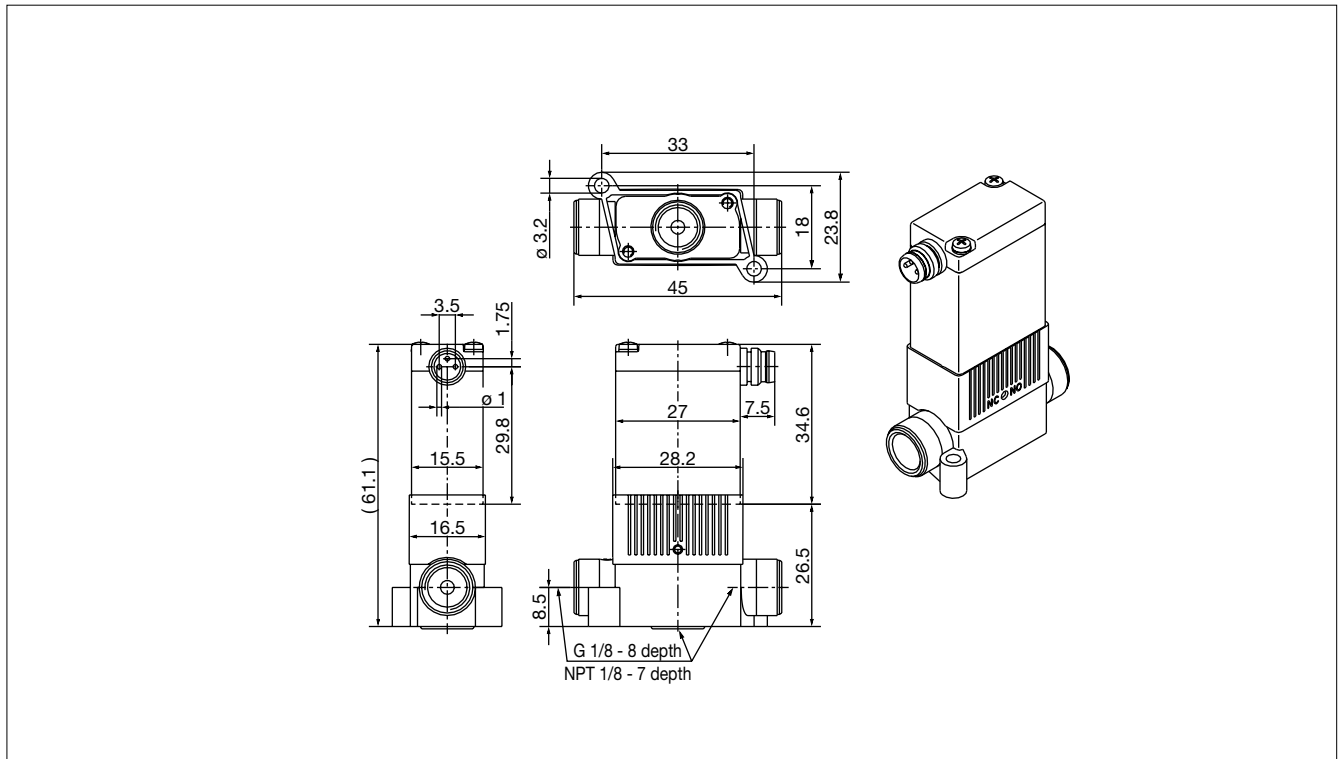
UNF 1/4-28 Body with Flying Leads - Dimensions [mm]



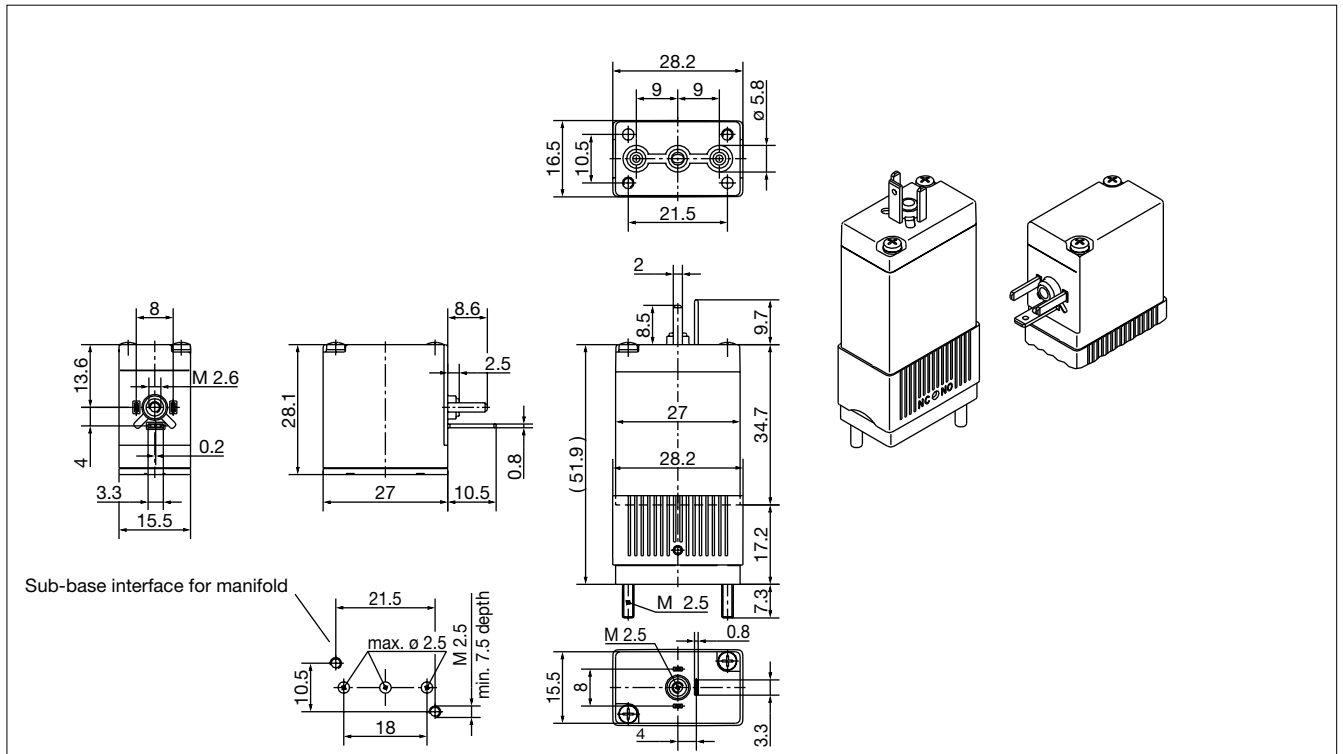
Tube Connection Body with Side Plug - Dimensions [mm]



G 1/8 (NPT 1/8) Body with Round Plug - Dimensions [mm]



Sub-base Connection Body with Top or Side Plug - Dimensions [mm]



16mm Miniature Rocker Solenoid Valve with Isolating Diaphragm for Analytical Applications

Type 6606

Type 2505 - Rectangular Cable Plug

Technical Data

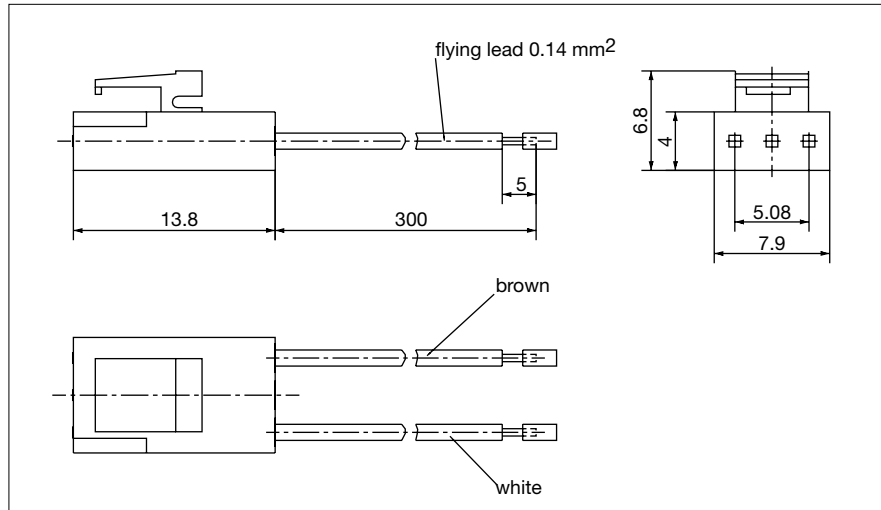
Protection class	IP 40
Operating voltage	24 V
Power consumption	3 W
Operating temperature	0-122 °F

Ordering¹⁾

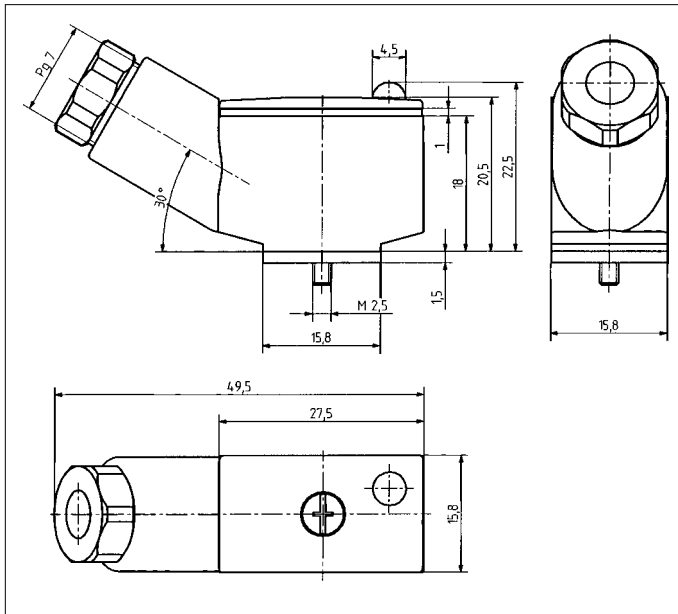
	Item-No.
Lead length 12 in. [300mm]	644 068 N
Cable length 118 in. [3m]	133 486 F
Lead length 78 in. [3000mm]	148 578 R

¹⁾ Please order separately
(no standard delivery)

Dimensions [mm]



Type 2506 - Cable Plug DIN 43650, Form C



Technical Data

Body material	PA (polyamide)
Contact material	Brass, electro-silverplated

Isolation between cable plug and coil
Gasket 0.059 in.

Continuous limit temp.	257°F
Cable diameter	0.197-0.232 in.
Electr. connection	Terminal screws Max. 0.75 mm ²
Poles	2-pole + protective ground
Nominal voltage	0-250 V

Ordering

	Item-No.
Cable plug Type 2506	008 353 P ²⁾

²⁾ Standard delivery with the valve