


10-32 UNF, Sub-Base



Advantages/Benefits

- ▶ Hermetic isolation of fluid from the actuator
- ▶ Insensitive to contamination
- ▶ High pressure and back-pressure rating of 145 PSI
- ▶ Low internal volume
- ▶ Body materials:
PPS, Brass, Stainless steel
- ▶ Seal materials:
FPM (Viton) or EPDM
- ▶ Normally closed, normally opened and 3-way universal functions
- ▶ Flow diagnostics available upon request
- ▶  Recognized

Design/Function

A unique rocker designed actuating mechanism operates an isolating diaphragm that separates the actuator and the coil from the fluid. The actuator is hermetically isolated from the coil by a stainless steel plate and the coil can be rotated or replaced without disturbing the process.

No friction, no risk of sticking and a strong, rugged diaphragm provide high reliability and long service life. The valve has a minimal internal volume that is easily purged. No cross-contamination occurs and the control of critical fluids with high accuracy is possible.

Heat transfer is virtually eliminated as the coil is not directly in contact with the diaphragm.

The valves are ideal for manifold mounting and are available with a simplified common wiring system. Custom manifolds are available to satisfy specific application requirements.

Applications

- Ink Jet
- Technical applications
- Analytical instruments
- Difficult and slightly aggressive media

Burkert Contromatic USA
2602 McGaw Avenue
Irvine, CA 92614
Tel. 949.223.3100
Fax 949.223.3198
www.burkert-usa.com

Burkert Contromatic Inc.
760 Pacific Road, Unit 3
Oakville, Ontario, Canada L6L 6M5
Tel. 905.847.5566
Fax 905.847.9006
www.burkert.ca

burkert
Fluid Control Systems

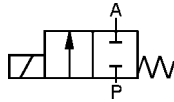
16mm Miniature Rocker Solenoid Valve with Isolating Diaphragm for Special Applications

Type 6126
(2/2- 3/2-way)

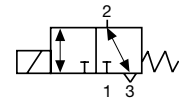
Technical Data

Circuit Function

A- 2/2-way valve, normally closed



T- 3/2-way valve, direct acting, universal function, any flow direction



Valve Specification

Pressure range max.	Vacuum - 145 PSI (see specifications)
Body material	PPS for sub-base body; brass, or 316L SS for 10–32 UNF valve body
Seal material	FPM (Viton) or EPDM
Isolating plate body/coil	Stainless Steel
Fluids	Ink, difficult and slightly aggressive media
Fluid temperature	32°F – 122°F
Ambient temperature	Max. 130°F
Max. viscosity	Approx. 21 centistokes
Response time	Approx. 25 ms

Solenoid Specification

Nominal voltages	12, 24 V/DC 110, 230 V/DC and AC
Voltage tolerance	±10 %
Power consumption	3.4 W at 12 and 24 VDC 4 W at 110-120 VDC 4 W at 230-240 VDC
Cycling rate	Approx. 200/min.
Duty cycle	100% continuously rated
Protection class	NEMA 4 (IP 65) with leads or cable plug Type 2506, IP 20 without cable plug

Installation / Accessories

Installation	As required, but preferably with solenoid system upright.	Cable plug	Type 2506, DIN 43650, form C (standard delivery with valve)
Fixation	M2.5 from the top		Type 2505, rectangular plug (as accessory, order separately).
Electrical connection	<ul style="list-style-type: none"> • Side or top spade connector to DIN 43 650 • Rectangular connector • Flying lead wires 		

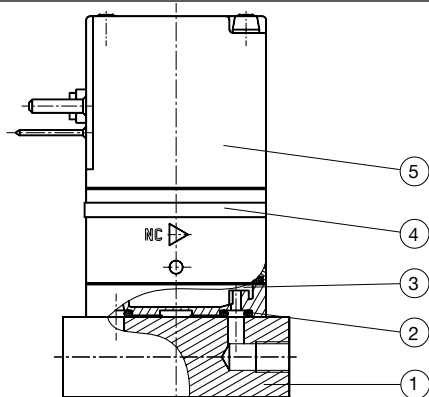
Manifolds

Manifolds according to specific application demands are available.

Ordering-Information Accessories

Accessory	Description	Item-No.
3-Station manifold, PEEK	2-Way Function, Single Common Port, Drawing Available Upon Request	US61376
6-Station manifold, PEEK	2-Way Function, Single Common Port, Drawing Available Upon Request	US61377
3-Station manifold, PEEK	2-Way Function, Single Common Port, Drawing Available Upon Request	US61381
6-Station manifold, PEEK	2-Way Function, Single Common Port, Drawing Available Upon Request	US61382
Blanking plate PEEK	To cover unused stations	US61385

Materials

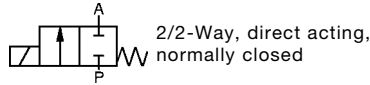


- | | |
|--------------------|----------------------------------|
| 1 Sub-base: | Brass or
316L Stainless steel |
| 2 O-Rings: | FPM (Viton) or EPDM |
| 3 Diaphragm: | FPM (Viton) or EPDM |
| 4 Isolating plate: | Stainless steel |
| 5 Body: | PPS |

16mm Miniature Rocker Solenoid Valve with Isolating Diaphragm for Special Applications

Type 6126 (2/2- 3/2-way)

Specifications - Ordering Chart (Other Versions on Request)



PPS valve body

Port connection	Orifice [in]	C _v	SCFM (air)	Pressure Range [PSI]	Back-pressure [PSI]	Seal Material	Electrical Connection	Weight [oz]	Item-No. Voltage / Frequency [V/Hz]			
									12/DC ¹⁾	24/DC ¹⁾	110/DC/AC ²⁾	230/DC/AC ²⁾
Sub-base	1/32	0.012	0.39	Vac-145	145	FPM	cab. plug 2506	2.12	139 151 U	139 088 Z	139 152 V	139 153 W
Sub-base	1/32	0.012	0.39	Vac-145	145	FPM	rect. plug 2505	2.12	---	139 236 Z	---	---
Sub-base	1/32	0.012	0.39	Vac-145	145	EPDM	cab. plug 2506	2.12	139 154 X	139 155 Y	---	---

¹⁾ Side tag connector, ²⁾ Top tag connector, universal coil (AC/DC) with integrated rectifier.

Brass / PPS valve body

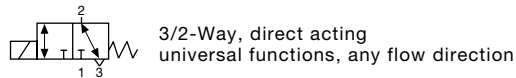
Port connection	Orifice [in]	C _v	SCFM (air)	Pressure Range [PSI]	Back-pressure [PSI]	Seal Material	Electrical Connection	Weight [oz]	Item-No. Voltage / Frequency [V/Hz]			
									12/DC ¹⁾	24/DC ¹⁾	110/DC/AC ²⁾	230/DC/AC ²⁾
10-32 UNF	1/32	0.012	0.39	Vac-145	145	FPM	cab. plug 2506	2	---	431 745 U	431 571 N	431 572 P

¹⁾ Side tag connector, ²⁾ Top tag connector, universal coil (AC/DC) with integrated rectifier.

316L Stainless steel / PPS valve body

Port connection	Orifice [in]	C _v	SCFM (air)	Pressure Range [PSI]	Back-pressure [PSI]	Seal Material	Electrical Connection	Weight [oz]	Item-No. Voltage / Frequency [V/Hz]			
									12/DC ¹⁾	24/DC ¹⁾	110/DC/AC ²⁾	230/DC/AC ²⁾
10-32 UNF	1/32	0.012	0.39	Vac-145	145	FPM	cab. plug 2506	2	---	431 746 V	431 578 V	431 579 W

¹⁾ Side tag connector, ²⁾ Top tag connector, universal coil (AC/DC) with integrated rectifier.



PPS valve body

Port connection	Orifice [in]	C _v	SCFM (air)	Pressure Range [PSI]	Back-pressure [PSI]	Seal Material	Electrical Connection	Weight [oz]	Item-No. Voltage / Frequency [V/Hz]			
									12/DC ¹⁾	24/DC ¹⁾	110/DC/AC ²⁾	230/DC/AC ²⁾
Sub-base	1/32	0.012	0.39	Vac-87	87	FPM	cab. plug 2506	2.12	139 158 B	459 103 E	458 120 H	458 121 W
Sub-base	1/32	0.012	0.39	Vac-87	87	FPM	rect. plug 2505	2.12	---	459 104 F	---	---
Sub-base	1/32	0.012	0.39	Vac-87	87	EPDM	cab. plug 2506	2.12	139 162 X	139 163 Y	139 164 Z	139 165 S

¹⁾ Side tag connector, ²⁾ Top tag connector, universal coil (AC/DC) with integrated rectifier.

Brass / PPS valve body

Port connection	Orifice [in]	C _v	SCFM (air)	Pressure Range [PSI]	Back-pressure [PSI]	Seal Material	Electrical Connection	Weight [oz]	Item-No. Voltage / Frequency [V/Hz]			
									12/DC ¹⁾	24/DC ¹⁾	110/DC/AC ²⁾	230/DC/AC ²⁾
10-32 UNF	1/32	0.012	0.39	Vac-87	87	FPM	cab. plug 2506	2	---	431 747 W	431 585 D	431 586 E

¹⁾ Side tag connector, ²⁾ Top tag connector, universal coil (AC/DC) with integrated rectifier.

316L Stainless steel / PPS valve body

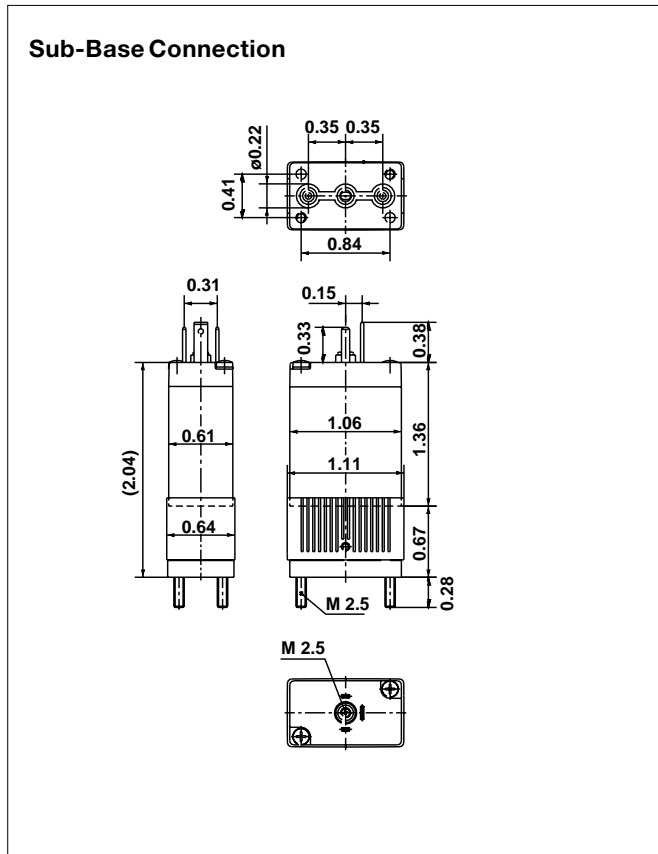
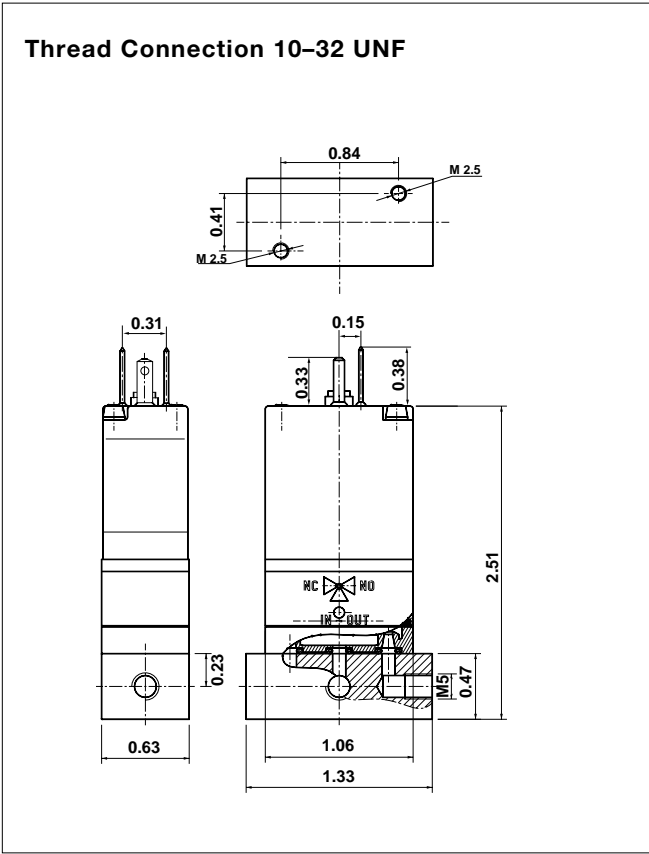
Port connection	Orifice [in]	C _v	SCFM (air)	Pressure Range [PSI]	Back-pressure [PSI]	Seal Material	Electrical Connection	Weight [oz]	Item-No. Voltage / Frequency [V/Hz]			
									12/DC ¹⁾	24/DC ¹⁾	110/DC/AC ²⁾	230/DC/AC ²⁾
10-32 UNF	1/32	0.012	0.39	Vac-87	87	FPM	cab. plug 2506	2	---	431 748 F	431 592 C	431 706 W

¹⁾ Side tag connector, ²⁾ Top tag connector, universal coil (AC/DC) with integrated rectifier.

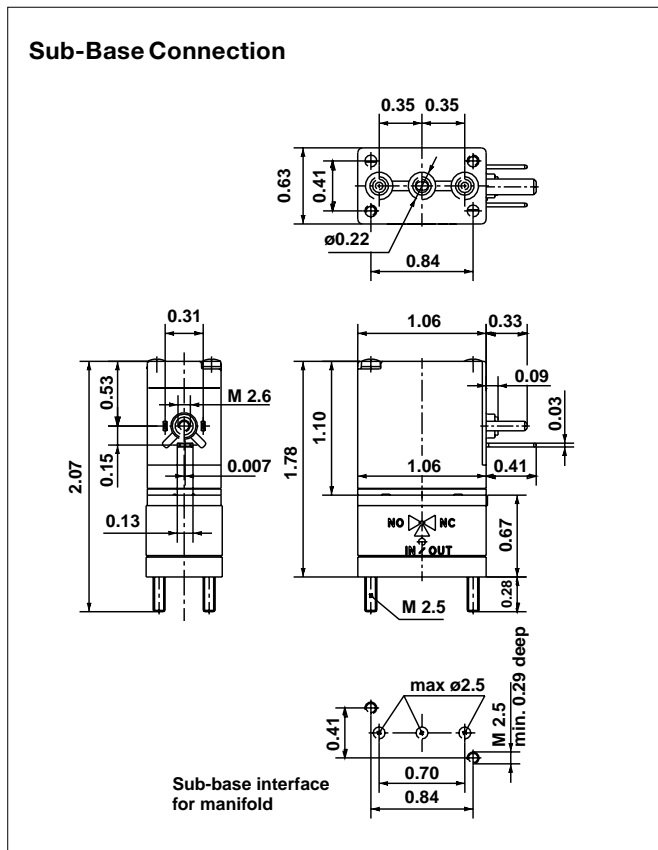
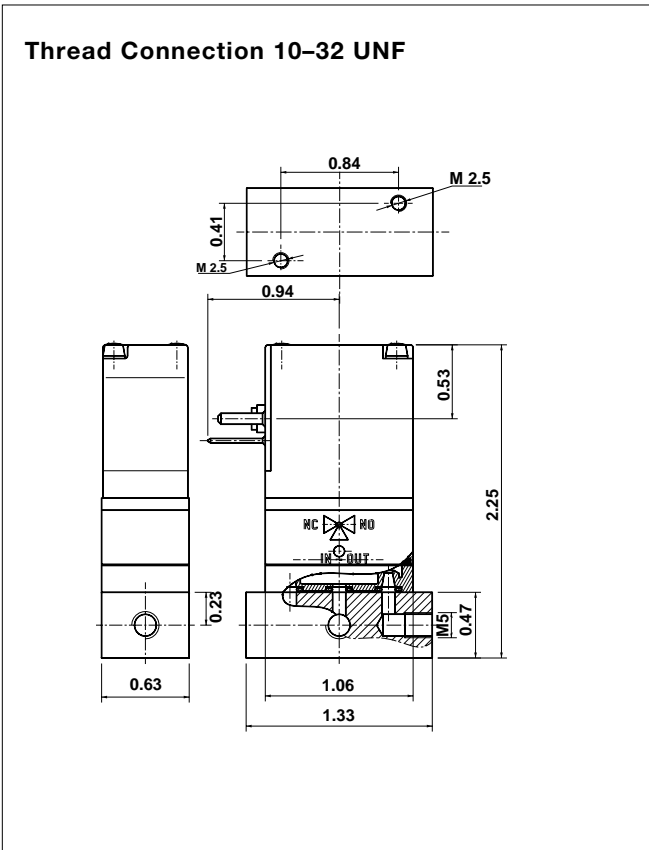
16mm Miniature Rocker Solenoid Valve with Isolating Diaphragm for Special Applications

Type 6126
(2/2- 3/2-way)

Coil with Top Plug Type 2506 - Dimensions [inch]



Coil with Side Plug Type 2506 - Dimensions [inch]

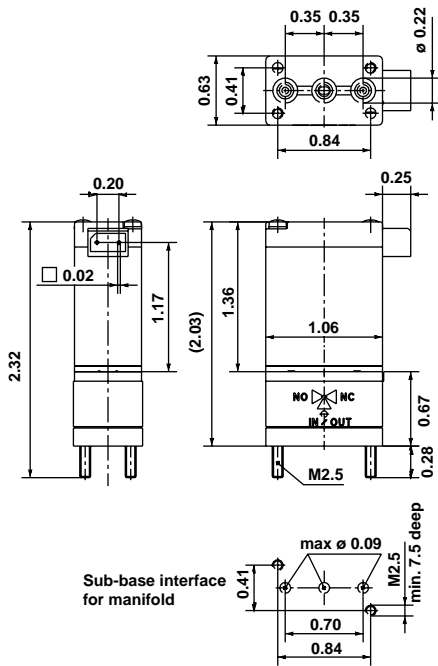


16mm Miniature Rocker Solenoid Valve with Isolating Diaphragm for Special Applications

Type 6126
(2/2- 3/2-way)

Coil with Rectangular Plug Type 2505 - Dimensions [inch]

Sub-Base Connection



16mm Miniature Rocker Solenoid Valve with Isolating Diaphragm for Special Applications

Type 6126
(2/2- 3/2-way)

Type 2505 - Rectangular Cable Plug

Technical Data

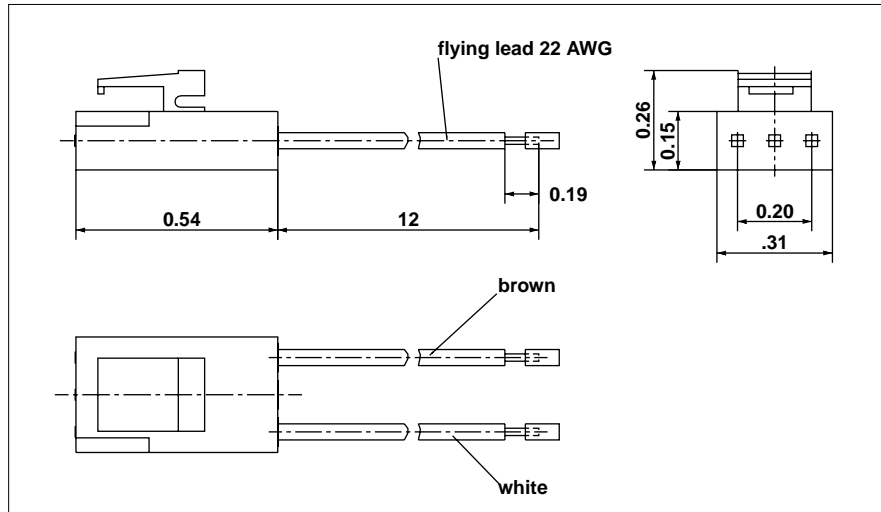
Protection class	IP 20
Operating voltage	24 V
Power consumption	3 W
Operating temperature	0°F-122°F

Ordering¹⁾

	Item-No.
lead length 12 in.	644 068 N
cable length 10 ft.	133 486 F
lead length 78 in.	148 578 R

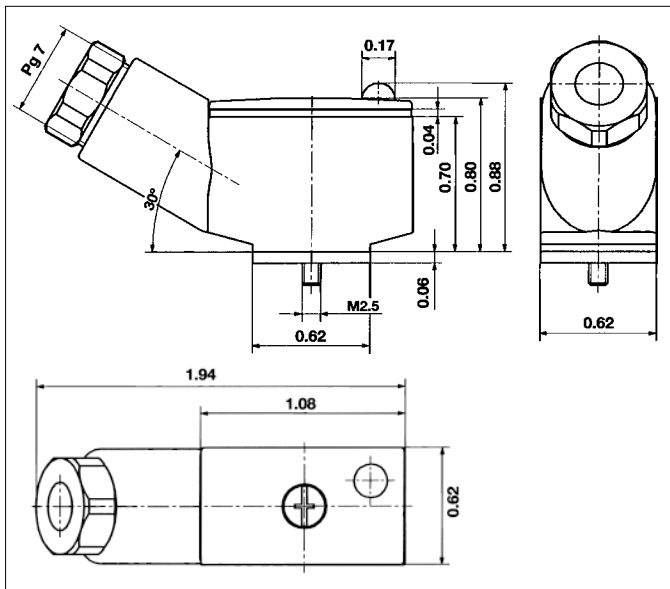
¹⁾ Please order separately
(no standard delivery)

Dimensions [inch]



Type 2506 - Cable Plug DIN 43650, Form C

Dimensions [inch]



Technical Data

Body material	PA (polyamide)
Contact material	Brass, electro-silverplated

Isolation between cable plug and coil	Gasket 0.06"
---------------------------------------	--------------

Continuous limit temp.	259°F
Cable diameter	0.19" to 0.23"
Electr. connection	Terminal screws Max. 0.03 in ²
Poles	2-pole + ground
Nominal voltage	0-250 V

Ordering

	Item-No.
Cable plug 2506	008 353 P ²⁾

²⁾ Standard delivery with the valve

In case of special requirements
please consult for advice.

We reserve the right to make technical
changes without notice.

US_6126_08/02