



Advantages / Benefits

- ▶ Installs on a DIN-rail per DIN 46 277
- ▶ Compact design
- ▶ Supply voltage 115, 230 V/50-60 Hz
- ▶ Outputs:

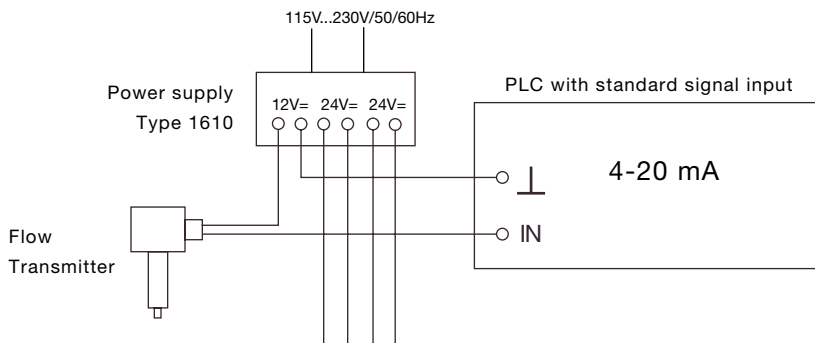
2 x	24 V/0.3 A
1 x	12 V/0.1 A

Design/Function

The 24 V-outputs have independent voltage regulators allowing individual output. The load current of one output may be increased up to 600mA, as long as the other output remains unused.

The 12 V-output can, for instance, be used to supply a transmitter.

Example:



Applications

For all applications requiring voltage and power supply coupled with a DIN rail mounting for use in control cabinets.

- Power supply for:
- Solenoid control valves
 - PI-controllers 8623-2, 8624-2, 8625-2
 - PID-controller, 1067
 - Flow sensors/transmitter
 - Level sensors/transmitter
 - Analysis sensors/transmitter
 - Pressure sensors/transmitter

Burkert Contromatic USA
 2602 McGaw Avenue
 Irvine, CA 92614
 Tel. 949.223.3100
 Fax 949.223.3198
 www.burkert-usa.com

Burkert Contromatic Inc.
 760 Pacific Road, Unit 3
 Oakville, Ontario, Canada
 L6L 6M5
 Tel. 905.847.5566
 Fax 905.847.9006



Technical Data

Voltage Supply

Supply voltage	115 or 230 V/50-60 Hz $\pm 10\%$
Power consumption	< 100 mA (with load current)
Special feature	Input voltage reversible via bridge or ext. switch
Isolation group	VDE 0551 (EN 60 742)
Voltage resistance	VDE 0160 1.5 kV
Protective circuit	IEC 801-4 (burst) IEC 801-5 (high-energy) VDE 0875 (electro-magnetic radiation)

Design	Standard DIN-rail enclosure for installation on 35 mm mounting rail (DIN 46 277)
--------	--

Rating	IP00
Electrical connection	18 AWG
Ambient temperature	-4°F to 184°F
Weight	1.5 lbs.

Item-No. 007 999 X

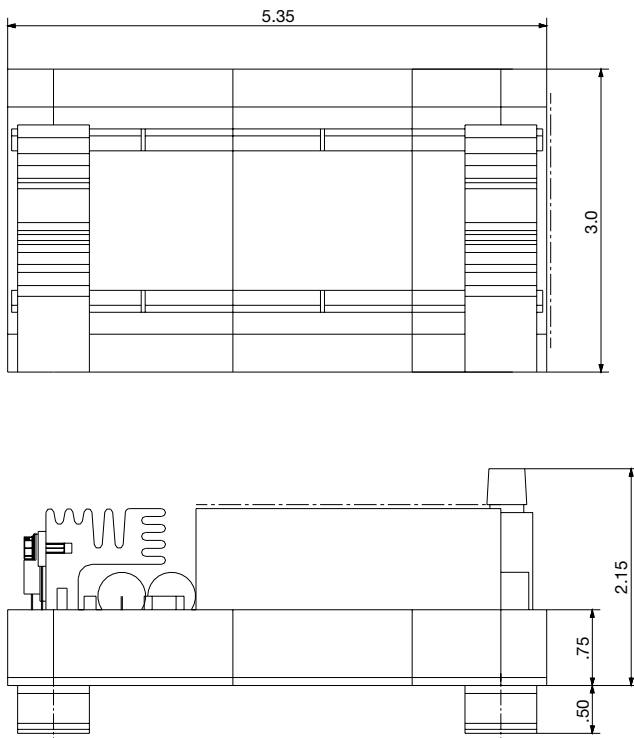
Outputs 2 and 3

Output type	Regulated
Load current	300 mA
Output voltage	24 VDC
Residual ripple	< 5 mV
Fuse protection	400 mA/ medium slow-blow
Special features	If either output 1 or 2 remains unused, the other can be loaded by 600 mA, after replacing the 400 mA safety fuse by an 800 mA.

Outputs 4

Output type	Standard voltage controller
Total load current	100 mA
Output voltage	12 VDC
Residual ripple	< 5 mV
Fuse protection	100 mA/medium slow-blow

Dimensions [inch]



Pin Assignment

