



Advantages/Benefits

- ▶ Programming via DIP-switches and potentiometers
- ▶ 4 functions
- ▶ Time range from 0.5s - 10h
- ▶ NEMA 4 rating
- ▶ Mains voltage displayed via LEDs
- ▶ Simple, space-saving installation instead of cable plug to DIN 43 650
- ▶ Flexible installation; cable outlet can be oriented in 90°-step intervals
- ▶ Low installation and wiring cost
- ▶ CE Approval
- ▶ UL Approval

Design/Function

The timer unit Type 1078-1 can be fitted to all valves with the cable plug standard to DIN 43 650. This standard, developed by Burkert, is used internationally.

The timer unit is internally programmable via DIP-switches and potentiometers. Four functions can be programmed. 2 LEDs display the mains voltage and valve status.

Applications

- Repeated valve timing control
- Irrigation systems
- Condensate drain of compressors or pipeline systems
- Repeated timing control of unsupervised processes
- Cost-effective alternative to relays or PLC's for repeated valve operation

Burkert Contromatic USA
 2602 McGaw Avenue
 Irvine, CA 92614
 Tel. 949.223.3100
 Fax 949.223.3198
 www.burkert-usa.com

Burkert Contromatic Inc.
 760 Pacific Road, Unit 3
 Oakville, Ontario, Canada
 L6L 6M5
 Tel. 905.847.5566
 Fax 905.847.9006

burkert
Easy Fluid Control Solutions

Technical Data

Operating voltages 12 - 24 V/ DC
 24 - 48 V/ 50-60 Hz and DC
 48 - 110 V/ 50-60 Hz and DC
 110 - 230 V/ 50-60 Hz
 ±10%

Power consumption max. 1.0 W

Switching load $I_{max.} =$ 2 A at supply voltage
 12 - 24 V/ DC
 $I_{max.} =$ 1.5 A at supply voltage
 24 - 48 V/ 50-60 Hz and DC
 $I_{max.} =$ 0.5 A at supply voltage
 48 - 110 V/ 50-60 HZ and DC
 110 - 230 V/ 50-60 Hz

Note

Terminal voltage and current type must always be compatible with the solenoid valve.

Cable outlet 4x 90° positioning

Poles 2-pole and earth

Outlet connector pin standard to
 DIN 43 650

Contact Plane contact similar to flat plug
 (DIN 46 247/48)

Connection 3-pole terminal strip in the unit,
 wire diameter max. 1.5 mm².
 PG-cable gland ø 6 to 7 mm

Rating NEMA 4
 air gaps and leakage paths
 according to VDE 0100

Body material Polyamide

Mounting cheesehead screw M 3 x 45 mm

Weight approx. 60 g

Working temperature range 32°F to 130°F

Influence of temperature on response time ±5% of full scale time range

Influence of voltage on response time ±1% of full scale time range

Display LED-connected power supply
 LED-energized load

Adjustment Function and time range via
 DIP-switch. Precision adjustment
 of response times via potentiometer

Time Setting Ranges for t_{on} and t_{off}

The time ranges for t_{on} and t_{off} are individually combinable. Within a selected time range t_{on} and t_{off} are adjustable via a potentiometer:

0.5 - 10 s
 1.5 - 30 s
 5.0 - 100 s
 0.5 - 10 min
 1.5 - 30 min
 5.0 - 100 min
 12.0 - 240 min
 0.5 - 10 h

Delivery status $t_{on} =$ 0.5 - 10 s
 $t_{off} =$ 0.5 - 10 s
 function pulse generator

Version with extended time range on request:

0.1 - 2 s
 0.5 - 10 s
 5.0 - 100 s
 0.5 - 10 min
 3.0 - 60 min
 0.3 - 6 h
 1.2 - 24 h
 5.0 - 100 h

AC voltage timers should always be isolated from the mains to change the function or time settings

Functions

Operating Voltages



Signal:

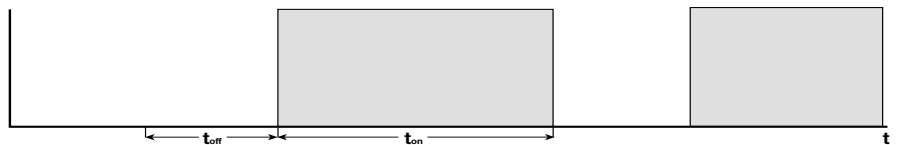
Cycler: starting with "ON"

The connected valve is switched- t_{on} and t_{off} periodically according to the set times t_{on} and t_{off} . The "cycler" function starts with t_{on} .



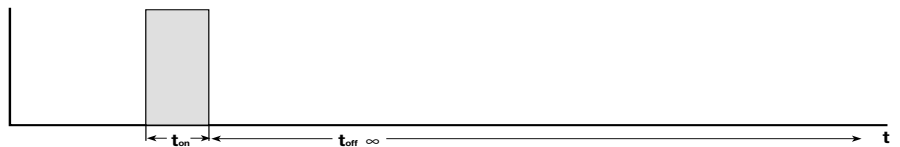
Inverted cycler :

The circuit function of the cycler is reversed i.e. "Inverted cycler" starts with t_{off} .



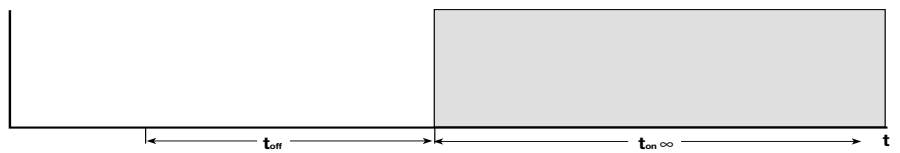
Switch-on impulse

Once energized, the connected valve is operated for the pre-set time (t_{on}). Then, the valve switches t_{off} until it is energized again.

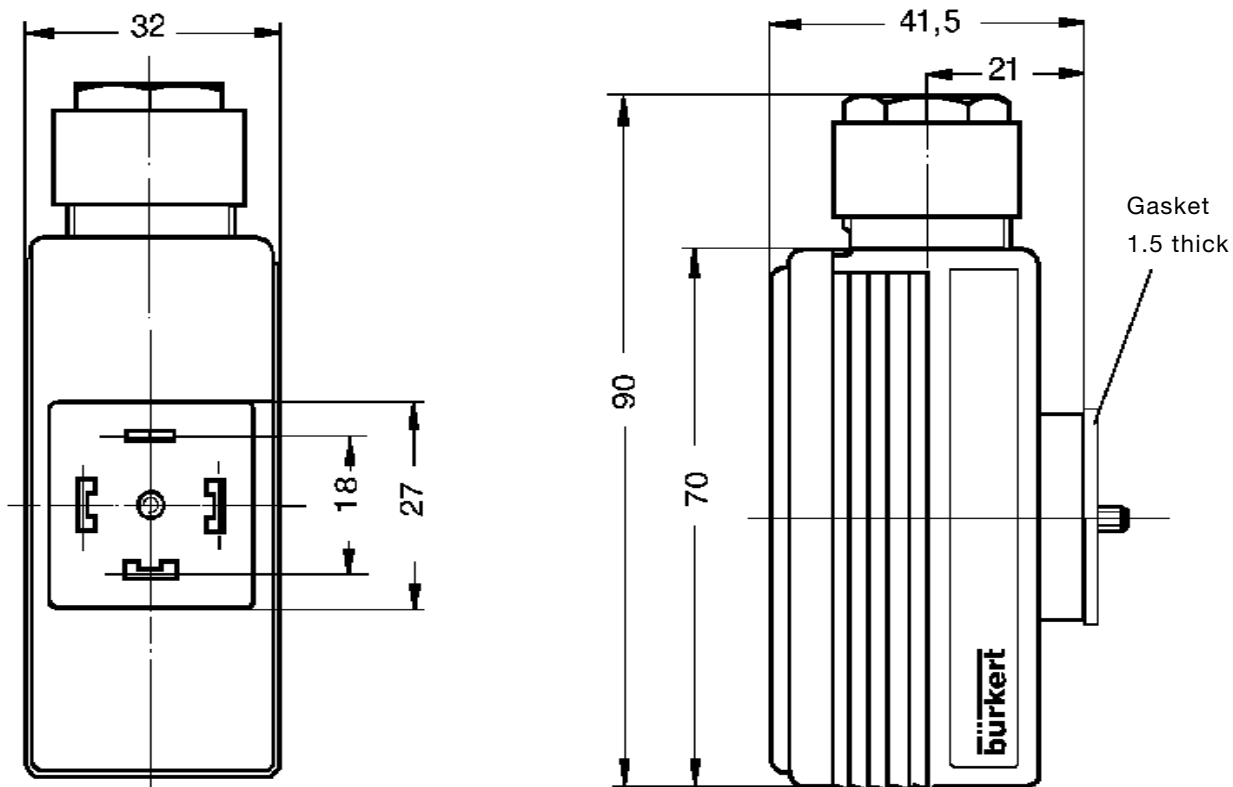


Switch-on delay

Once energized, the connected valve is only switched t_{on} after the expiration of the preset time (t_{on}), for the duration of the supply voltage being applied.



Dimensions in mm



Ordering Chart (Other Versions on Request)

Voltage			Order-No.
AC	110 - 230 V/	(50-60 Hz)	060 620 N
AC, DC	24 - 48 V/	(50-60 Hz/ DC)	060 621 B
AC, DC	12 V/	(50-60 Hz/DC)	060 647 M
Version with extended time range			
AC, DC	48 - 110 V/	(50-60 Hz/ =)	060 668 S
AC	110 - 230 V/	(50-60 Hz)	060 659 Z

Time control for impulse valves on request.